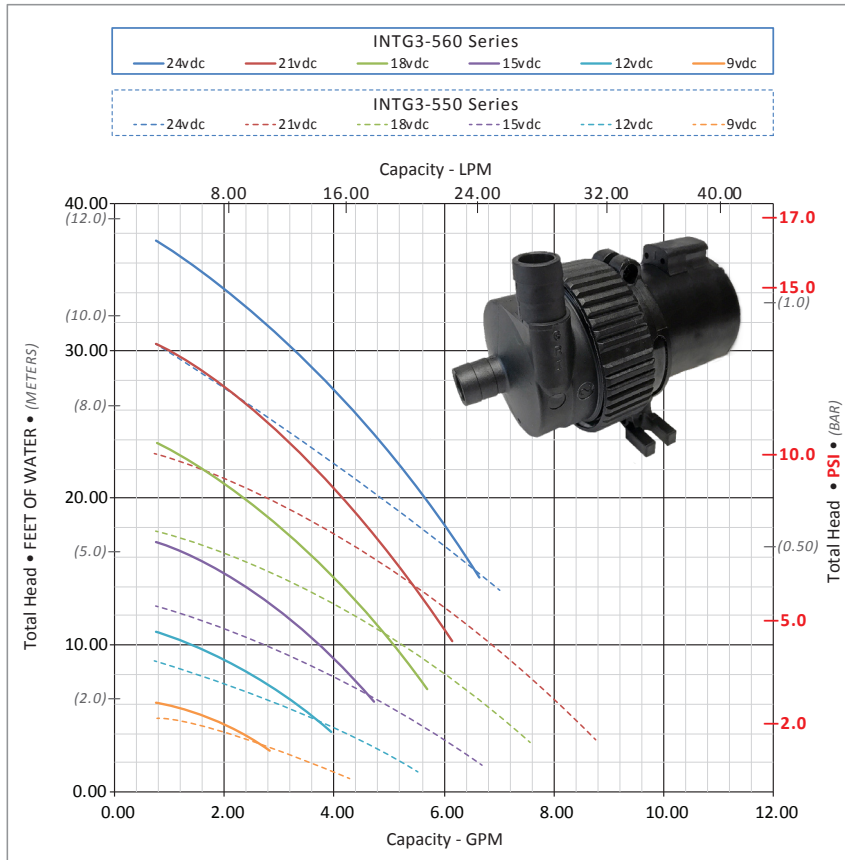


Max Flow Per INTG3 Model Series							
Series	Voltage	Flow (GPM)	Flow (L)	Ttl. Hd. (Ft)	Ttl. Hd. (PSI)	Ttl. Hd. (BAR)	Ttl. Hd. (M)
INTG3-550 Series	21vdc	8.85	33.50	2.36	1.02	0.07	0.72
INTG3-560 Series	24vdc	6.70	25.40	14.87	6.45	0.44	4.53



Note: Testing performed in a controlled laboratory environment. Actual performance may vary (+) or (-) 10% from the information shown.  
**Do Not Run Pumps Dry. Pumps must be in a continuous flooded suction environment.**

Specifications
<b>Maximum System Pressure:</b> 75 psi
<b>Approximate Weight:</b> .8 LBS (362.9 grams)
<b>Ports:</b> 1/2", 3/4" MHB, 3/8" MPT / OEM Customization Available

Materials In Contact With Solution		
<b>Body:</b> PPS	<b>Housing:</b> PPS	<b>Static O-Ring:</b> EPDM, FKM
<b>Impeller:</b> PPS	<b>Pump Shaft:</b> Ceramic	

Motor Specifications	
<b>Motor:</b> Integrated, Brushless DC	<b>Control Options</b> <ul style="list-style-type: none"> <li>• <b>Direct Supply Voltage:</b> Speed of the pump determined by the voltage supplied</li> <li>• <b>Analog:</b> 0-5v DC signal</li> <li>• <b>Digital:</b> PWM</li> <li>• <b>Tachometer:</b> Feedback option available</li> </ul>
<b>Supply Voltage:</b> 12-24 VDC	
<b>Electronics Maximum Power:</b> 60 Watts To protect the control board, each Integrity Series pump will be issued with a Maximum Power limit (Watts). To stay within this limit, the recommended fuse size (Amps) will be based on the voltage supplied. (Watts = Voltage X Amps)	

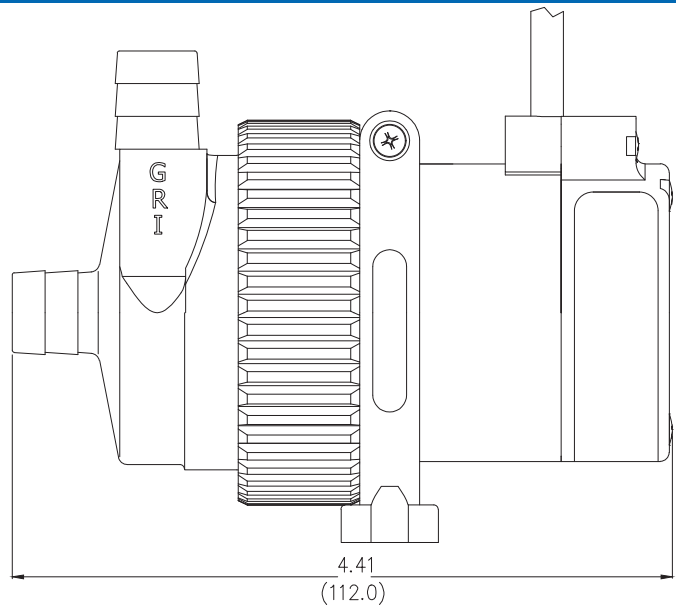
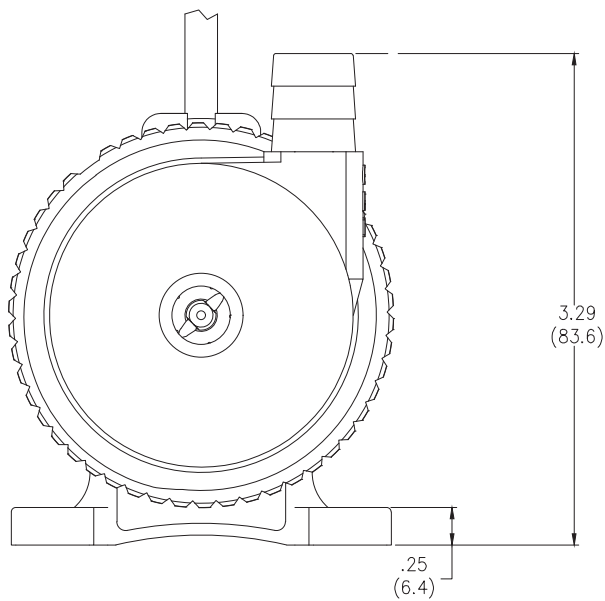
Maximum Fluid Rating Chart	
Controller Position	Maximum Fluid Temp Rating
Separate from pump	225°F (107°C)
Within pump's housing	149°F (65°C)

Various factors influence the recommended maximum temperature rating. These factors play a role in determining the pump's life and applied warranties. In some applications, a higher maximum fluid temperature rating may be warranted.

- Factors influencing maximum temperature rating include, but are not limited to:
- Starting temperature of fluid in system
  - Ambient temperature
  - Required performance, application's specifications
  - Run time

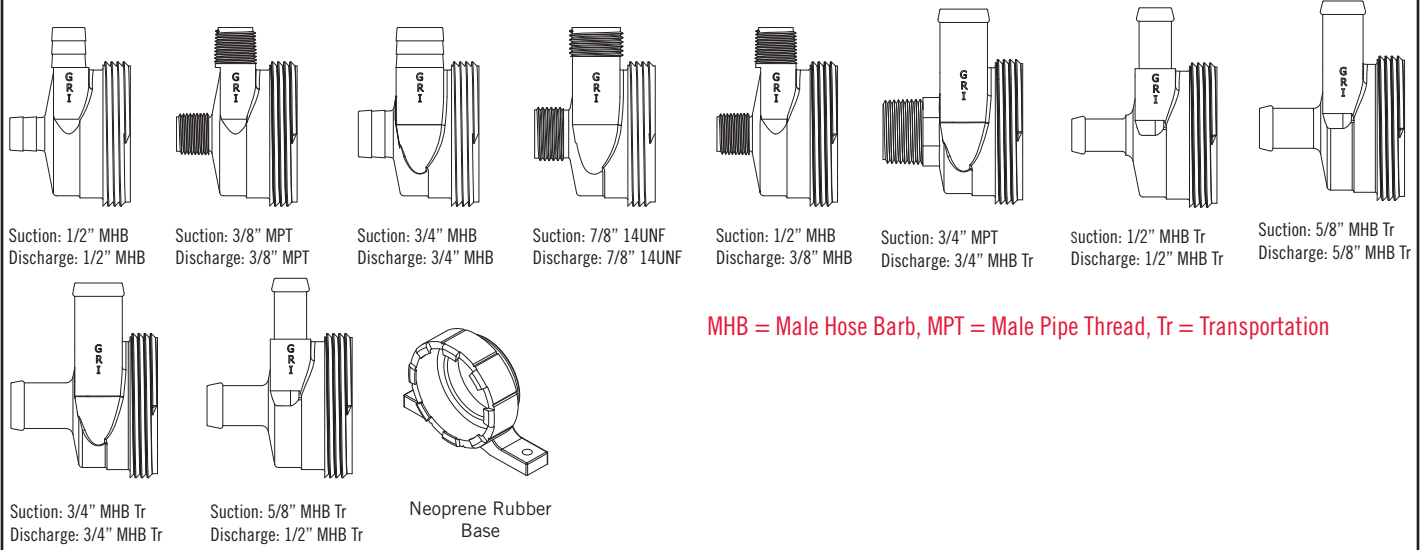
Optional Agency Approvals	RoHS/REACH
<b>UL778:</b> Motor-Operated Water Pumps <b>NSF61:</b> Potable Water <b>NSF372:</b> Lead Content	Many GRI pumps are RoHS & REACH compliant. For declarations by specific model numbers, please contact GRI.

IP (Ingress Protection)
<b>IP66:</b> No ingress of dust, protection against powerful water jets.
<b>IP67:</b> No ingress of dust, protection against temporary water immersion.
<b>IP68:</b> No ingress of dust, protection against continuous water immersion.



INTG3 Series Typical Dimensional Drawing. Many other OEM port options and configurations are available. Please contact GRI to discuss.

## Base Model Options



MHB = Male Hose Barb, MPT = Male Pipe Thread, Tr = Transportation

INTG3 SERIES MODELS				Ports Inches	Max Flow GPM (LPM)	Max Head Ft. (PSI) (m)	Voltage
EPDM O-Ring		FKM O-Ring					
2 wire	3 wire	2 wire	3 wire				
INTG3-550	INTG3-552	INTG3-551	INTG3-553	3/4 MHB	8.85 (33.5)	32.00 (13.9) (17.7)	12-24
INTG3-560	INTG3-562	INTG3-561	INTG3-563	1/2 MHB	6.70 (25.4)	37.00 (16.0) (11.3)	
INTG3-564	INTG3-566	INTG3-565	INTG3-567	3/8 MPT			

**3-wire:** Attaching a 0-5v DC or PWM input signal to the third wire gives the ability to adjust voltage and speed of the pump. If the third wire is not connected, the pump will run full-on. **Connectors:** MHB = Male Hose Barb; MPT = Male Pipe Thread | **O-Ring Material:** EPDM = Ethylene Propylene Diene Monomer, FKM = Fluoroelastomer.

Integrity Series Pumps are designed and manufactured specifically for OEM customization. If you don't immediately find a pump that meets your exact requirements, our dedicated Pump Team is ready to work with you in developing a solution specific to your application.