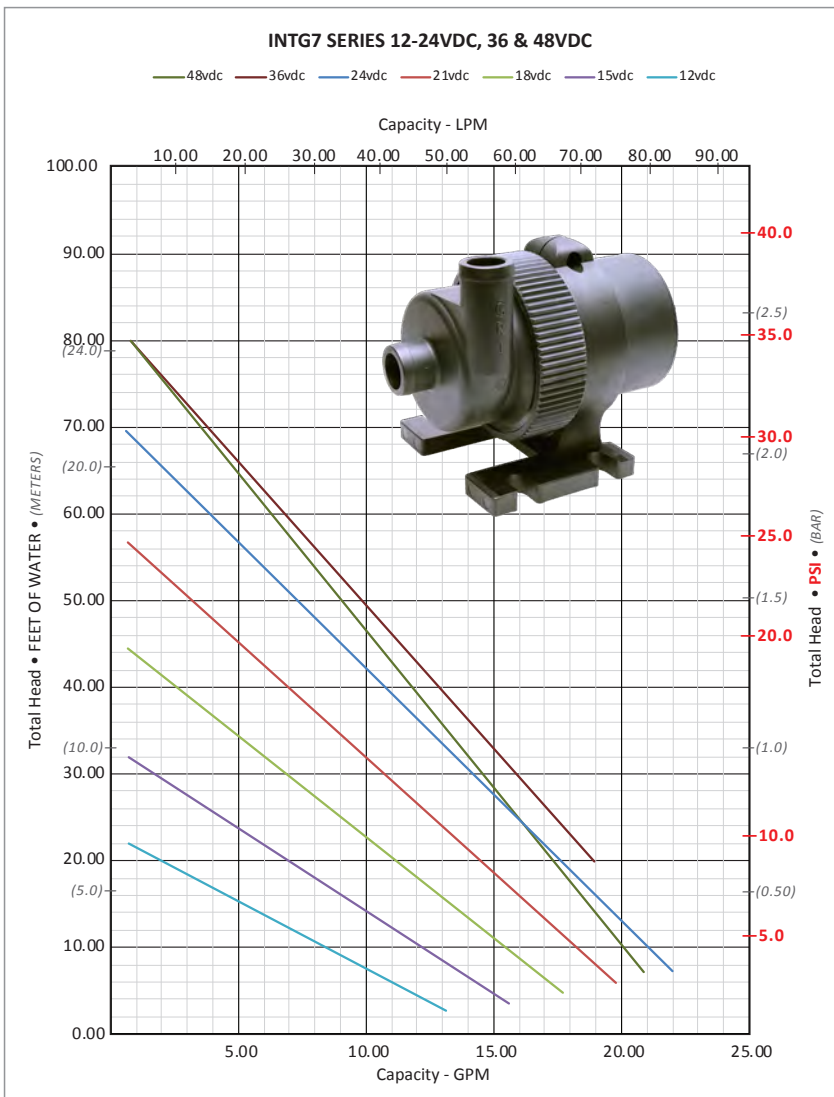


INTG7 Series • Maximum flow per voltage

Voltage	Flow (GPM)	Flow (L)	Ttl. Hd. (Ft)	Ttl. Hd. (PSI)	Ttl. Hd. (BAR)	Ttl. Hd. (M)
48vdc	21.99	83.25	7.52	3.26	0.22	2.29
36vdc	18.98	71.85	19.80	8.58	0.59	6.04
24vdc	22.08	83.59	7.25	3.14	2.21	5.50
21vdc	19.81	75.00	5.76	2.50	1.76	4.14
18vdc	17.73	67.13	4.73	2.05	1.44	2.94
15vdc	15.58	58.96	3.55	1.54	1.08	7.01
12vdc	13.16	49.83	2.49	1.08	0.76	1.24



Note: Testing performed in a controlled laboratory environment. Actual performance may vary (+) or (-) 10% from the information shown.

Do Not Run Pumps Dry. Pumps must be in a continuous flooded suction environment.

Specifications

Maximum System Pressure: 75 psi

Approximate Weight: 3.52 lbs (1596.645 grams)

Ports: 1" MHB

Materials In Contact With Solution

Body: PPS	Housing: PPS	Static O-Ring: EPDM, FKM
Impeller: PPS	Pump Shaft: Ceramic	

Motor Specifications

Motor: Integrated, Brushless DC

Supply Voltage: 12-48 VDC

Electronics Maximum Power: 300 Watts

To protect the control board, each Integrity Series pump will be issued with a Maximum Power limit (Watts). To stay within this limit, the recommended fuse size (Amps) will be based on the voltage supplied. (Watts = Voltage X Amps)

Control Options

- **Direct Supply Voltage:** Speed of the pump determined by the voltage supplied
- **Analog:** 0-5v DC Signal
- **Digital:** PWM
- **CAN-Bus:** Option available
- **Tachometer:** Feedback option available

Maximum Fluid Rating Chart

Controller Position	Maximum Fluid Temp Rating
Separate from pump	225°F (107°C)
Within pump's housing	Not Applicable

Various factors influence the recommended maximum temperature rating. These factors play a role in determining the pump's life and applied warranties. In some applications, a higher maximum fluid temperature rating may be warranted.

Factors influencing maximum temperature rating include, but are not limited to:

- Starting temperature of fluid in system
- Ambient temperature
- Required performance, application's specifications
- Run time

Optional Agency Approvals

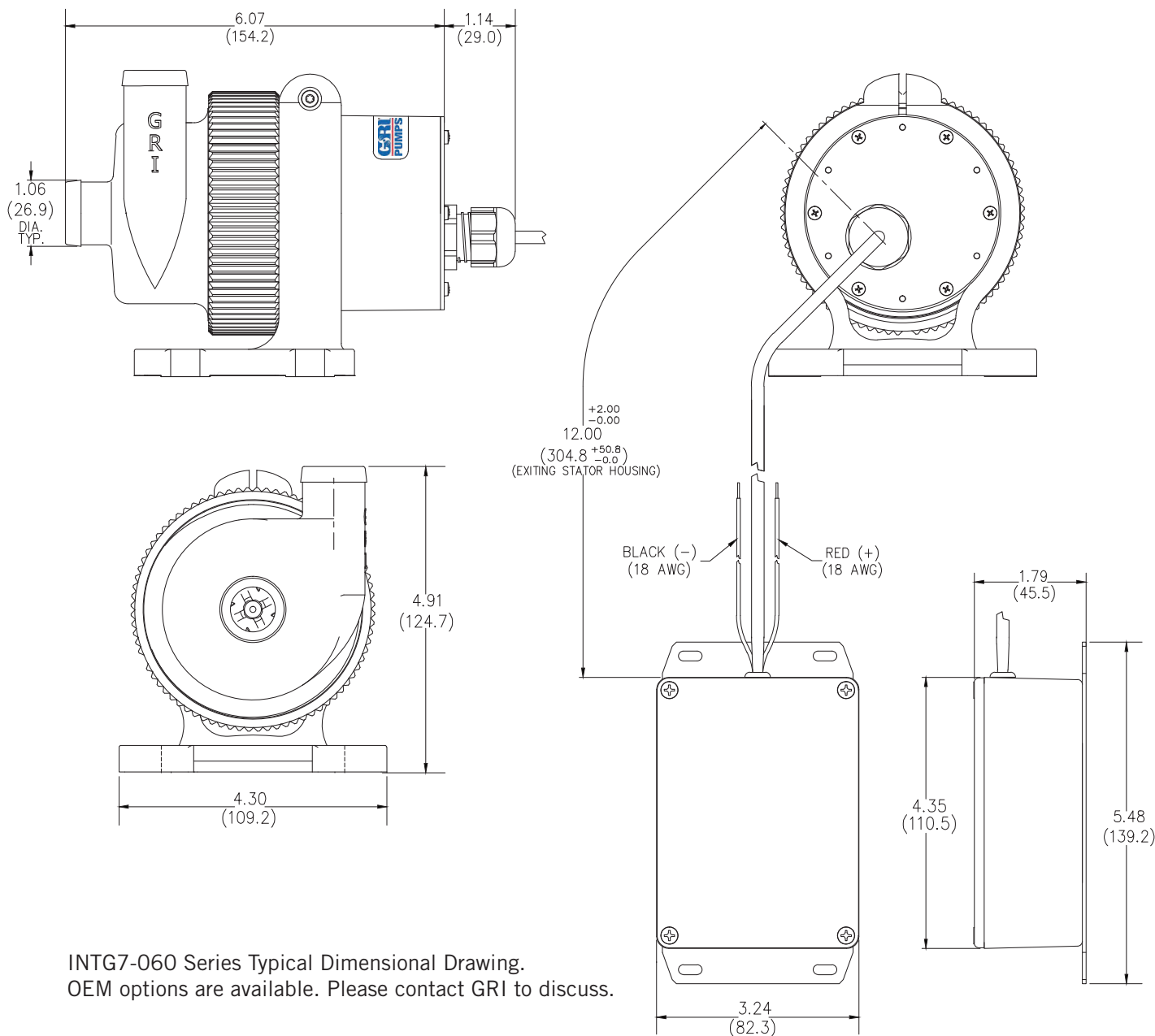
UL778: Motor-Operated Water Pumps
NSF61: Potable Water
NSF372: Lead Content

RoHS/REACH

Many GRI pumps are RoHS & REACH compliant. For declarations by specific model numbers, please contact GRI.

IP (Ingress Protection)

IP66: No ingress of dust, protection against powerful water jets.
IP67: No ingress of dust, protection against temporary water immersion.
IP68: No ingress of dust, protection against continuous water immersion.



Integrity Series Pumps are designed and manufactured specifically for OEM customization. If you don't immediately find a pump that meets your exact requirements, our dedicated Pump Team is ready to work with you in developing a solution specific to your application.

INTG7 SERIES MODELS				Ports Inches	Max Flow GPM (LPM)	Max Head Ft. (PSI) (m)	Voltage
EPDM O-Ring		FKM O-Ring					
2 wire	3 wire	2 wire	3 wire				
INTG7-060	INTG7-062	INTG7-061	INTG7-063	1" MHB	22.0 (83.3)	70.0 (30.3) (21.3)	12-24

3-wire: Attaching a 0-5v DC or PWM input signal to the third wire gives the ability to adjust voltage and speed of the pump. If the third wire is not connected, the pump will run full-on. **Connectors:** MHB = Male Hose Barb; | **O-Ring Material:** EPDM = Ethylene Propylene Diene Monomer, FKM = Fluoroelastomer.