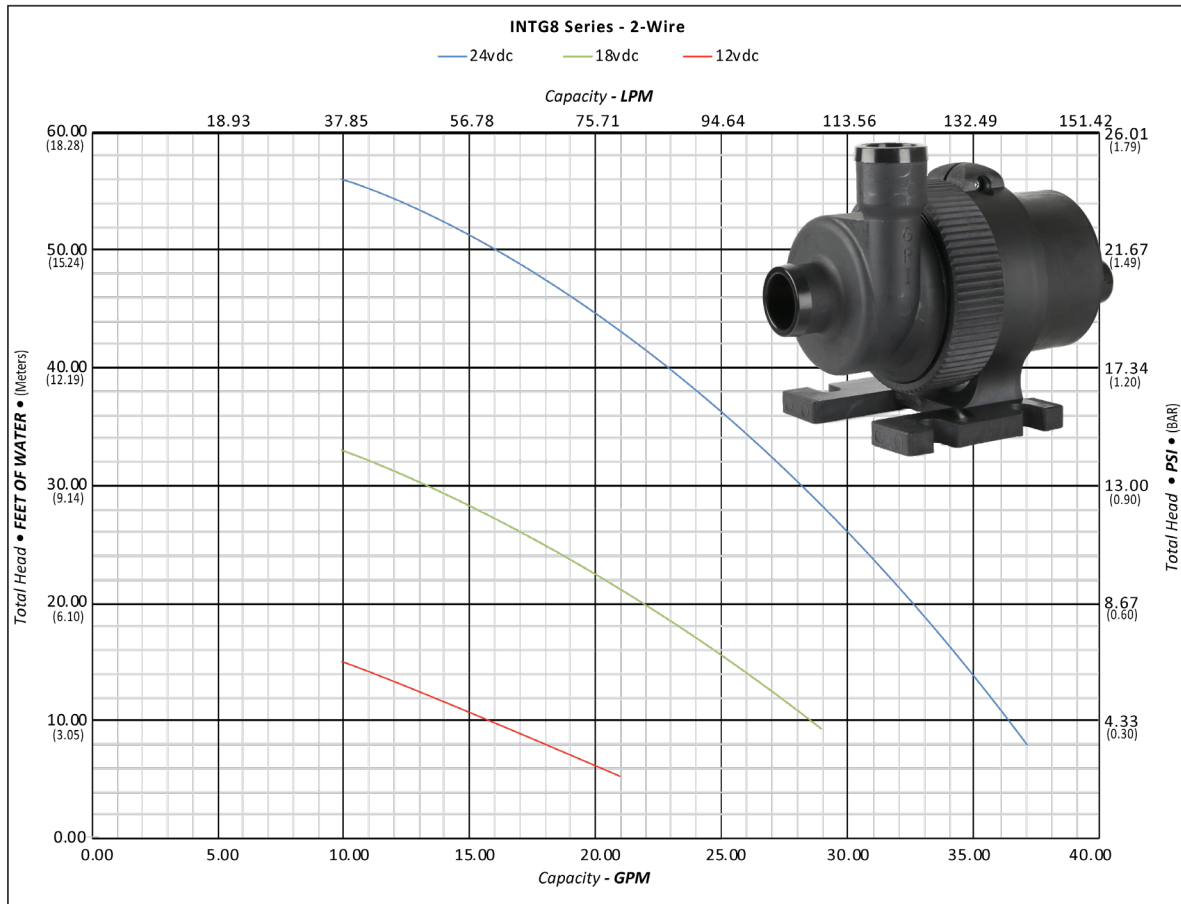


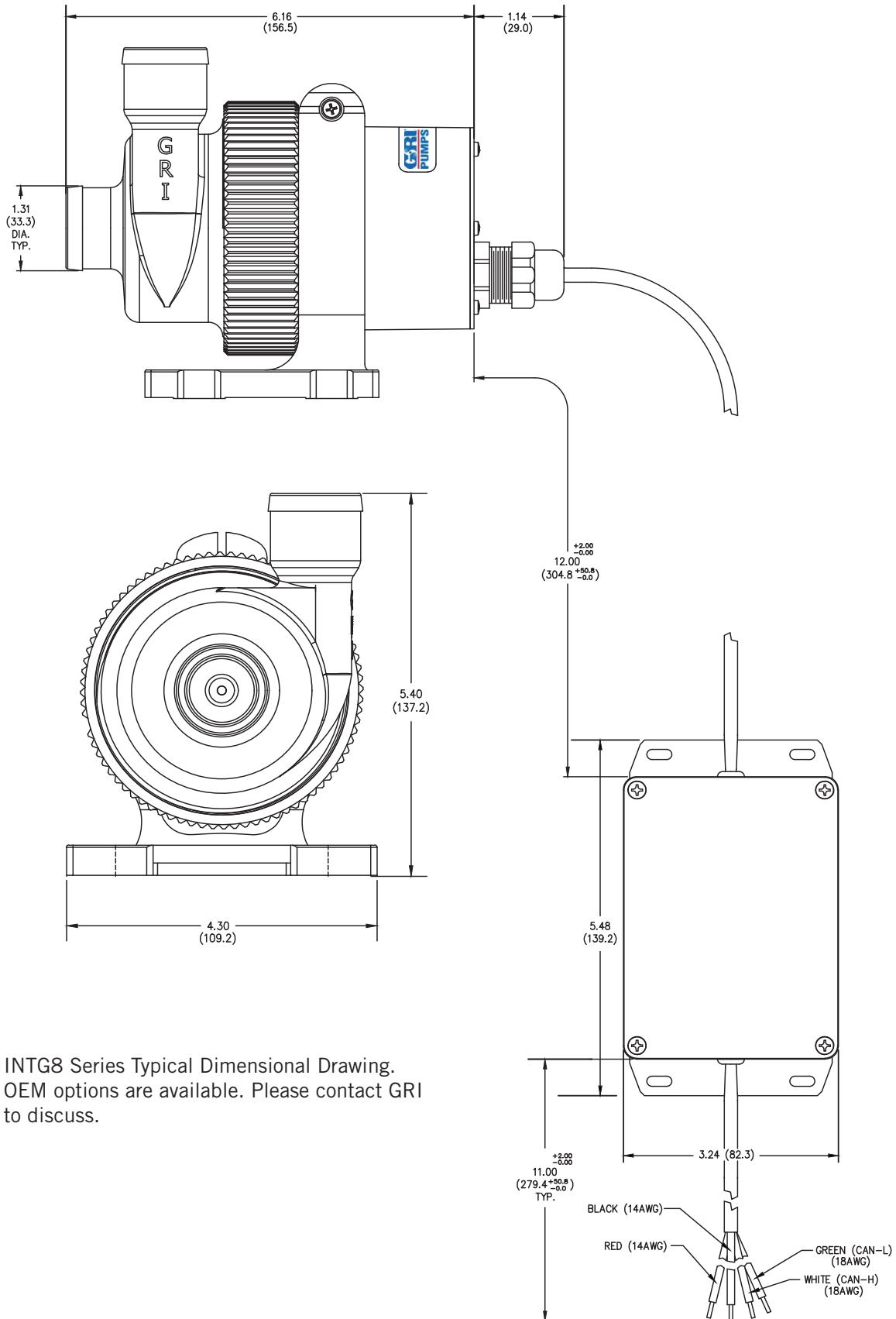
Series	Voltage	Maximum Flow GPM (LPM)	Maximum Head Ft (PSI) (m) (BAR)
INTG8 series	12-48	37.0 (140.0)	60.0 (26.0) (18.3) (1.79)



Note: Testing performed in a controlled laboratory environment. Actual performance may vary (+) or (-) 10% from the information shown.

**Do Not Run Pumps Dry. Pumps must be in a continuous flooded suction environment.**

Specifications	Motor Specifications	Maximum Fluid Rating Chart	
Maximum System Pressure: 75 psi	Motor: Integrated, Brushless DC	Controller Position	Maximum Fluid Temp Rating
Approximate Weight: 3.5 lbs (1596.645 grams)	Supply Voltage: 12-48 VDC	Separate from pump	225°F (107°C)
Ports: 1.25" MHB	Electronics Maximum Power: 600 Watts <i>To protect the control board, each Integrity Series pump will be issued with a Maximum Power Limit (Watts). To stay within this limit, the recommended fuse size (Amps) will be based on the voltage supplied. (Watts = Voltage X Amps)</i>	Within pump's housing	149°F (65°C)
<b>Materials In Contact With Solution</b>		Various factors influence the recommended maximum temperature rating. These factors play a role in determining the pump's life and applied warranties. In some applications, a higher maximum fluid temperature rating may be warranted.	
Body: PPS	Housing: PPS	Factors influencing maximum temperature rating include, but are not limited to:	
Impeller: PPS	Pump Shaft: Ceramic	<ul style="list-style-type: none"> <li>Starting temperature of fluid in system</li> <li>Ambient Temperature</li> <li>Required performance, application's specifications</li> <li>Run time</li> </ul>	
Static O-Ring: EPDM, FKM			
<b>Available Agency Approvals</b>			
Contact GRI			
<b>RoHS/REACH</b>			
Many GRI pumps are RoHS & REACH compliant. For declarations by specific model numbers, please contact GRI.			
<b>Control Options</b>			
<ul style="list-style-type: none"> <li><b>Direct Supply Voltage:</b> Speed of the pump determined by the voltage supplied.</li> <li><b>Analog:</b> 0-5v DC Signal</li> <li><b>Digital:</b> PWM</li> <li><b>CAN-bus</b> option available.</li> <li><b>Tachometer</b> feedback option available.</li> </ul>			



INTG8 Series Typical Dimensional Drawing.  
 OEM options are available. Please contact GRI  
 to discuss.