

GRI specializes in the custom design and manufacturing of fluid pumps for the OEM market. The chart below is a general overview of GRI's **INTG3** Series Pumps. If you do not find a pump that meets your exact requirements, our dedicated Sales Team will work with you to create a solution specific to your application - whether it is customizing an existing pump or designing new.

| Specifications  |
|---|
| <b>Max. Fluid Temp:</b> 203°F (95°C)                                  |
| <b>Max Sys. Pressure:</b> 75 psi                                      |
| <b>Approx. Weight:</b> .8 LBS (362.9 grams)                           |
| <b>Ports:</b> 3/4", 1/2" MHB, 3/8" MPT<br>OEM Customization Available |

| Materials in contact with solution      |
|---|
| <b>Body:</b> PPS (Ryton®)               |
| <b>Housing:</b> PPS (Ryton®)            |
| <b>Impeller:</b> PPS (Ryton®)           |
| <b>Pump Shaft:</b> Ceramic              |
| <b>Static O-Ring:</b> EPDM, FKM (Viton) |

| Motor specifications   |
|--|
| <b>Motor:</b> Integrated, Brushless DC   |
| <b>Supply Voltage:</b> 9-24 VDC  |
| <b>Electronics Max Power:</b> 60 Watts<br>It is recommended that the customer provide circuit over current protection to the pump.<br><b>5 amp fast acting fuse</b> is recommended.  |
| <b>Wiring Options</b> <ul style="list-style-type: none"> <li>• <b>2-wire</b></li> <li>• <b>3-wire:</b> 0-5 volts (Reference DC NEG). Speed is controlled by a nominal 0-5 volt DC signal.</li> <li>• <b>Tachometer</b> feedback option available.</li> </ul> |

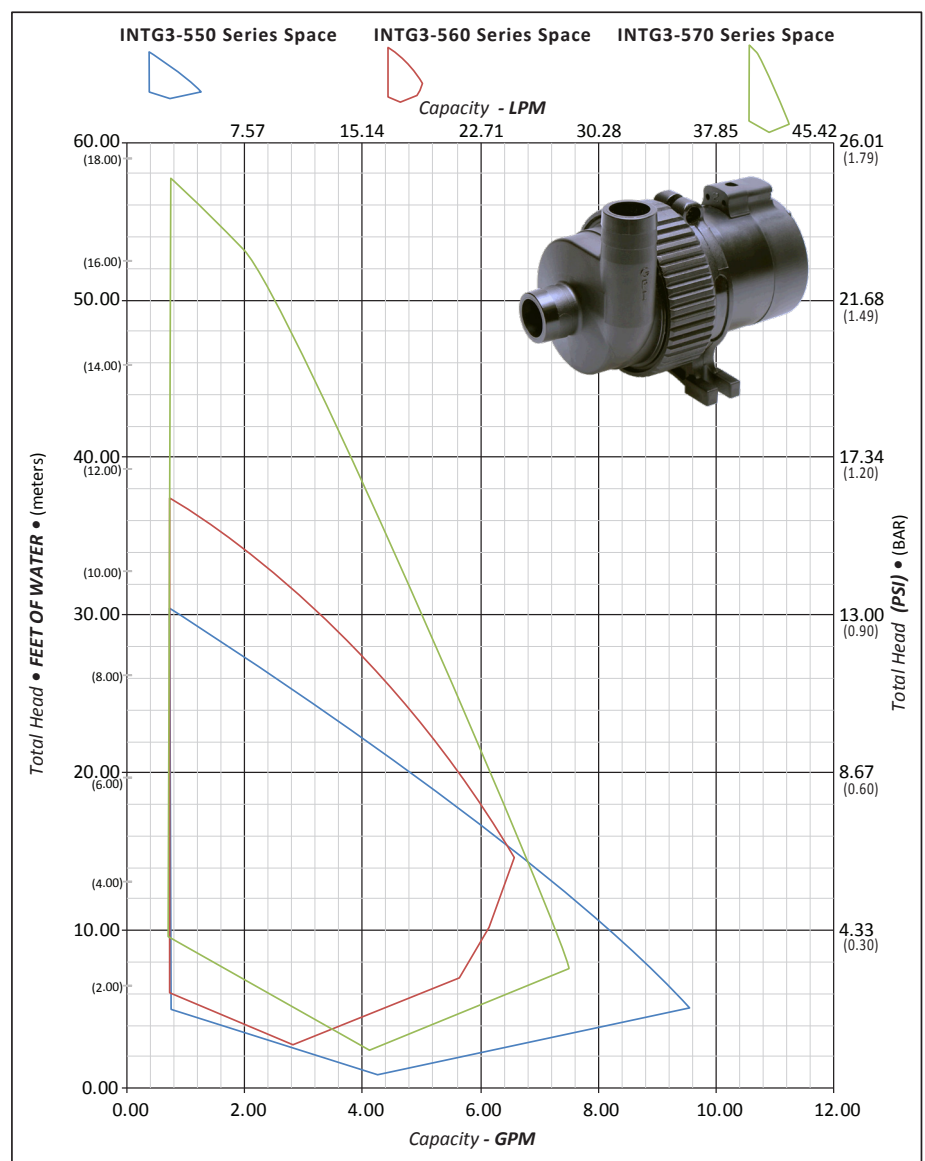
| Agency Approvals                         |
|--|
| <b>UL778:</b> Motor-operated Water Pumps |
| <b>NSF 61:</b> Potable Water             |
| <b>NSF 372:</b> Lead Content             |

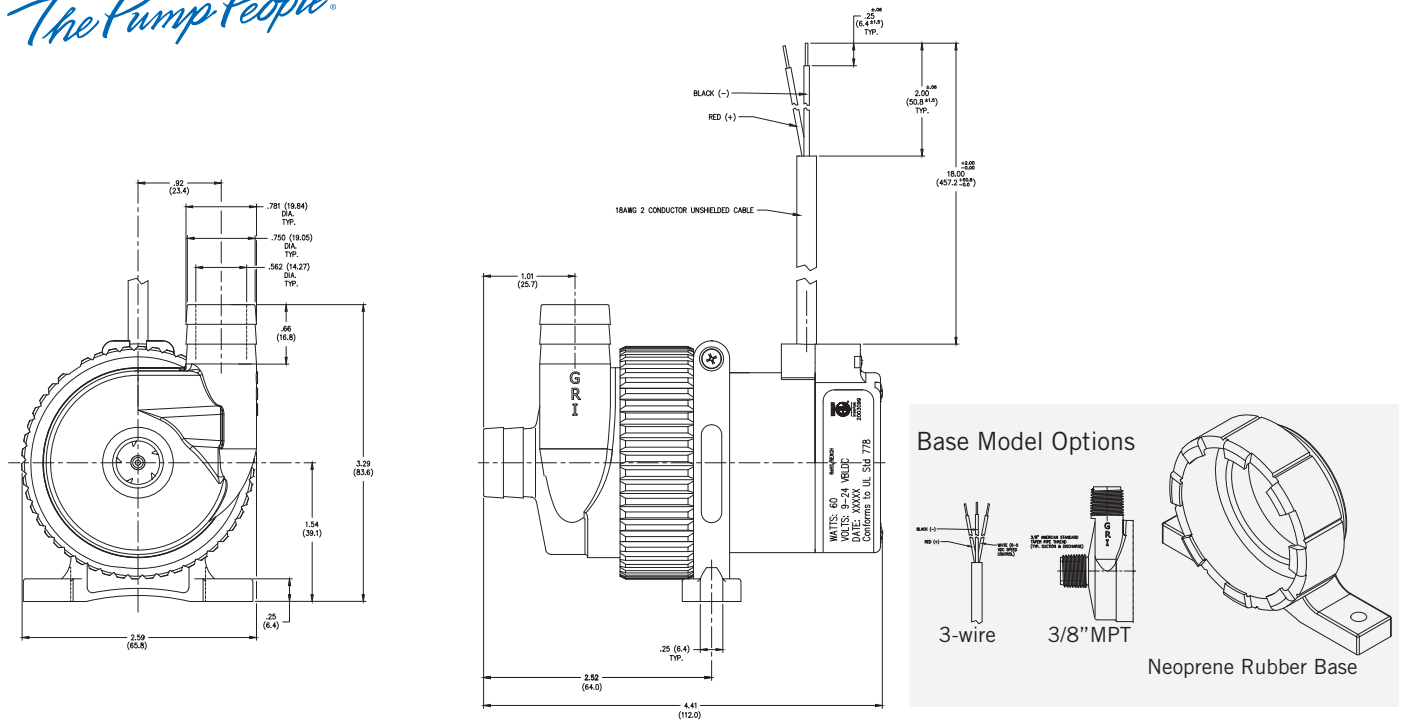
| Compliances         |
|---------------------|
| RoHS 2 (2011/65/EC) |
| REACH (SVHC)        |

Note: Testing performed in a controlled laboratory environment. Actual performance may vary (+) or (-) 10% from the information shown.

**Do Not Run Pumps Dry. Pumps must be in a continuous flooded suction environment.**

| INTG3 Series | Voltage | Max Flow GPM (LPM) | Max Head Ft (PSI) (m) (BAR) |
|--------------|---------|--------------------|-----------------------------|
| 550 series   | 9-24    | 8.85 (33.5)        | 32.00 (13.9) (9.8) (0.96)   |
| 560 series   | 9-24    | 6.70 (25.4)        | 37.00 (16.0) (11.3) (1.10)  |
| 570 series   | 9-24    | 7.50 (28.4)        | 58.00 (25.1) (17.7) (1.73)  |





INTG3-550 Series Typical Dimensional Drawing.  
Many other OEM port options and configurations are available. Please contact GRI to discuss.

| Model / O-Ring |           | Voltage | Wires  | Max Flow GPM<br>(LPM) | Max Head Ft.<br>(PSI) (m) (BAR) | Ports Inches |
|----------------|-----------|---------|--------|-----------------------|---------------------------------|--------------|
| EPDM           | FKM       |         |        |                       |                                 |              |
| INTG3-550      | INTG3-551 | 9-24    | 2-wire | 8.85<br>(33.5)        | 32.00<br>(13.9) (9.8) (0.96)    | 3/4 MHB      |
| INTG3-552      | INTG3-553 | 9-24    | 3-wire |                       |                                 |              |
| INTG3-560      | INTG3-561 | 9-24    | 2-wire | 6.70<br>(25.4)        | 37.00<br>(16.0) (11.3) (1.10)   | 1/2 MHB      |
| INTG3-562      | INTG3-563 | 9-24    | 3-wire |                       |                                 |              |
| INTG3-564      | INTG3-565 | 9-24    | 2-wire | 6.70<br>(25.4)        | 37.00<br>(16.0) (11.3) (1.10)   | 3/8 MPT      |
| INTG3-566      | INTG3-567 | 9-24    | 3-wire |                       |                                 |              |
| INTG3-570      | INTG3-571 | 9-24    | 2-wire | 7.50<br>(28.4)        | 58.00<br>(25.1) (17.7) (1.73)   | 1/2 MHB      |
| INTG3-572      | INTG3-573 | 9-24    | 3-wire |                       |                                 |              |
| INTG3-574      | INTG3-575 | 9-24    | 2-wire | 7.50<br>(28.4)        | 58.00<br>(25.1) (17.7) (1.73)   | 3/8 MPT      |
| INTG3-576      | INTG3-577 | 9-24    | 3-wire |                       |                                 |              |

**3-wire:** Attaching a 0-5vdc signal to the third (speed control) wire allows you to turn down and thus vary the performance of the pump as needed, given a fixed supply across the red and black wires.  
**Connectors:** MHB = Male Hose Barb; MPT = Male Pipe Thread  
**O-Ring Material:** EPDM = Ethylene Propylene Diene Monomer, FKM = Fluoroelastomer.

Note: Testing performed in a controlled laboratory environment. Actual performance may vary (+) or (-) 10% from the information shown. **Do Not Run Pumps Dry. Pumps must be in a continuous flooded suction environment.**

