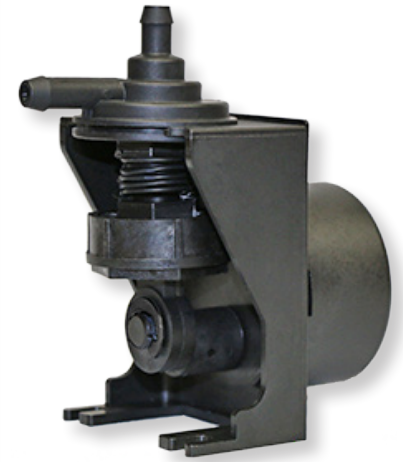


Bellows Dosing Pump



GRI's Bellows Dosing Pumps are ideal for low flow, low pressure metering applications where a fixed flow rate is required. The Dosing Pumps are constructed entirely of plastic and use GRI's time-proven bellows technology to provide a durable and accurate chemically resistant metering pump. When pumping water in laboratory test conditions, pumps rate at +/- 1%, stroke to stroke.

Applications/Markets

- Soap Dispensing
- Chemical Dispensing
- Household Washer and Dryer Market
- Appliance Market
- Warewashing
- Water Purification Market
- Laboratory Market
- HVAC Market
- OEM Markets requiring metering pumps

General Specifications

Maximum Fluid Temperature: 140°F (60°C)

Voltage: 50/60Hz, 115v, 230v, ±10%

Maximum Flow:

50 Hz: 36.0 ml/min

60 Hz: 43.2 ml/min

Accuracy %:

± 1% stroke to stroke

± 5% pump to pump

Maximum Discharge Pressure: 5 PSI

Self-Priming: Yes

Hose Connectors: .354" (9 mm)

Weight: 0.5 LBS (228 grams)

Agency Approvals

 Motor

RoHS Compliant

U.L. Motor: E338625

Wetted Materials

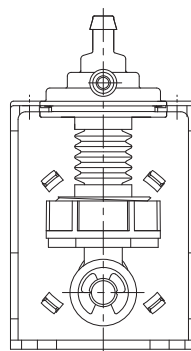
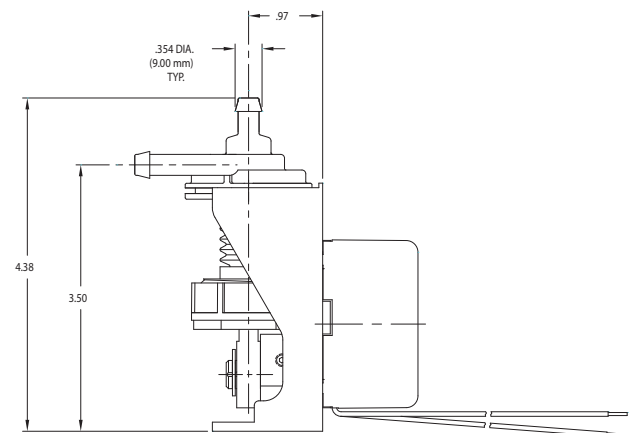
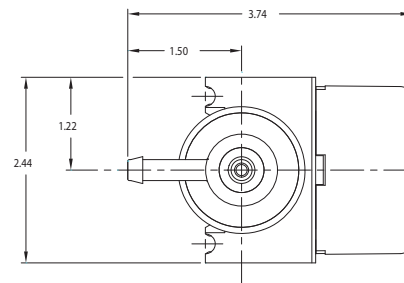
O-Rings (Elastomers): EPDM

Duckbill / Umbrella valve: EPT

Valve Body: PPR

Displacement Cup: PPR

Bellows: PP



Blank Page

