



www.GRIpumps.com/Integrity

INTG1 Series

Features

- Integrated, compact, lightweight design
- One moving part: impeller assembly
- No motor bearings
- Low power consumption
- Quiet operation
- Long life
- Multiple OEM options

Specifications

- Max Fluid Temp Range: 140°F (60°C). (Consult factory for higher temperature requirements.)
- Max System Pressure: 75 PSI
- Inrush Current: Ramps up to running current
- Weight: 10 oz (283.49 grams)

Wetted Materials Options

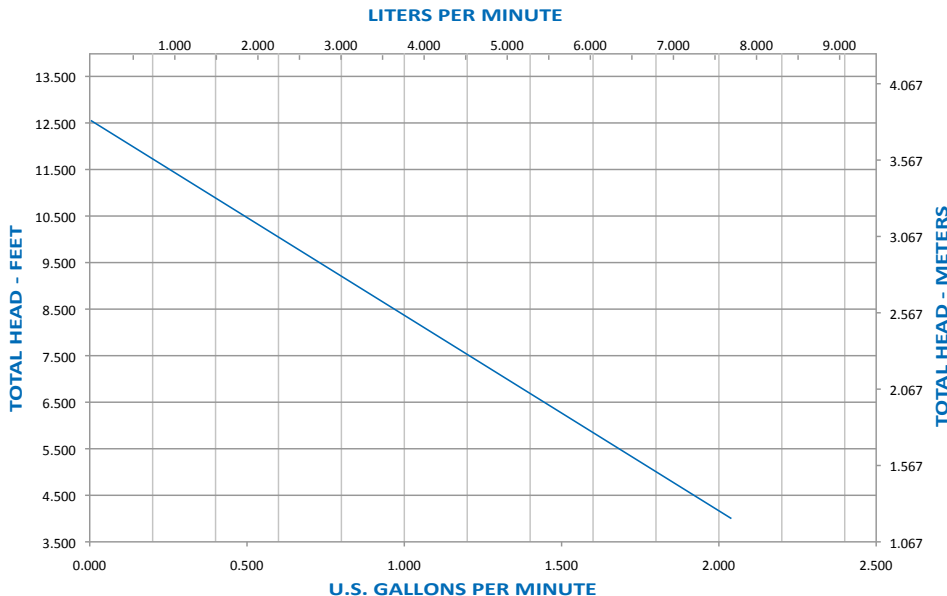
- Pump Body: PPO, LCP
- Pump Adapter: PP, LCP
- Impeller: LCP
- Front Thrust Bearing: Teflon
- Impeller Shaft: Ceramic
- O-Ring: EPDM, FKM

Markets / Applications

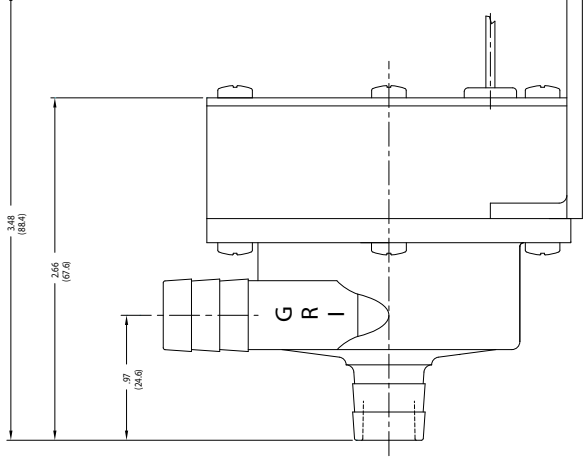
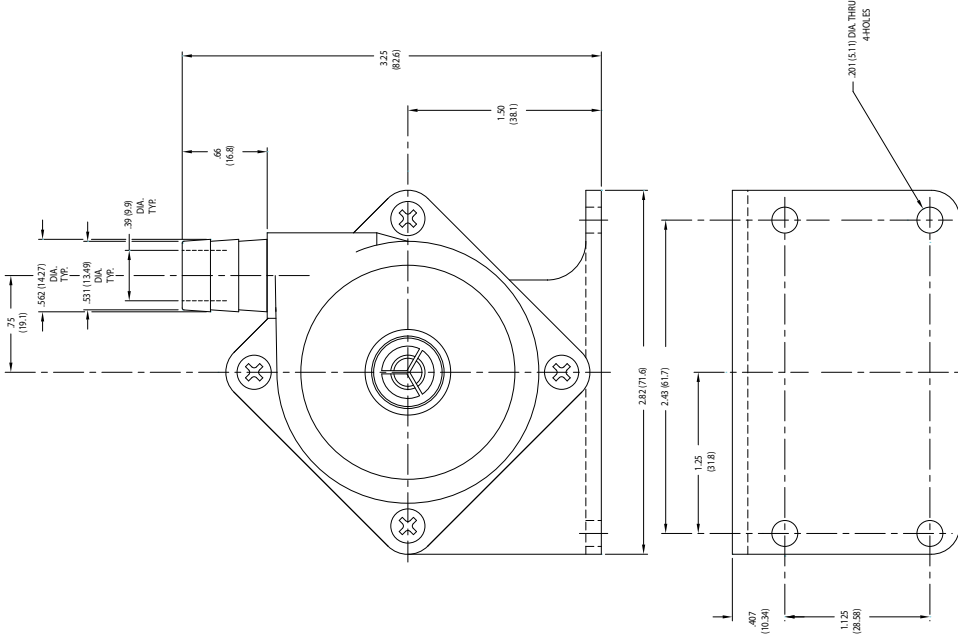
- Recirculation and transfer of fluids
- Medical
- Automotive & RV
- Chillers & Coolers
- Solar Thermal
- Other markets

NEW INTEGRATED DESIGN

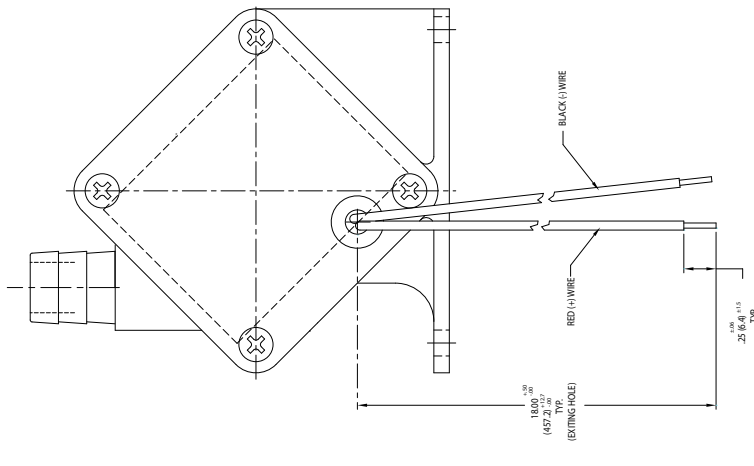
Designed for the recirculation and transfer of fluids, GRI's new integrated magnetic drive pumps bring a uniquely engineered design to GRI's portfolio of custom OEM pumps. GRI's new Integrity Series™ integrates the pump's components into a compact, lightweight design, eliminating motor bearings and leaving the impeller assembly as the only moving part. Fewer parts promote longer life, quieter operation, mechanical integrity, and lower power consumption. GRI's Integrity Series™ Mag-Drive Pumps will provide OEM solutions in the medical, automotive and RV, chillers and coolers, solar thermal heating and cooling, and other markets.



Flow (Gal./min.)	Total Head (ft. of water)	Watts	Volts	Amps
2.039	4.041	17.819	12.0	1.485
2.024	4.071	17.803	12.0	1.483
1.843	4.844	17.515	12.0	1.459
1.635	5.547	17.247	12.0	1.437
1.430	6.677	16.976	12.0	1.414
1.241	7.475	16.696	12.0	1.391
1.043	8.163	16.415	12.0	1.368
0.843	9.020	16.154	12.0	1.346
0.629	10.259	15.841	12.0	1.320
0.433	10.745	15.646	12.0	1.304
0.236	11.493	15.386	12.0	1.282
0.193	11.720	15.321	12.0	1.277
0.000	12.543	15.054	12.0	1.254



() = mm



The Pump People

[Outline & Mounting Dimensions: INTG1-050]

